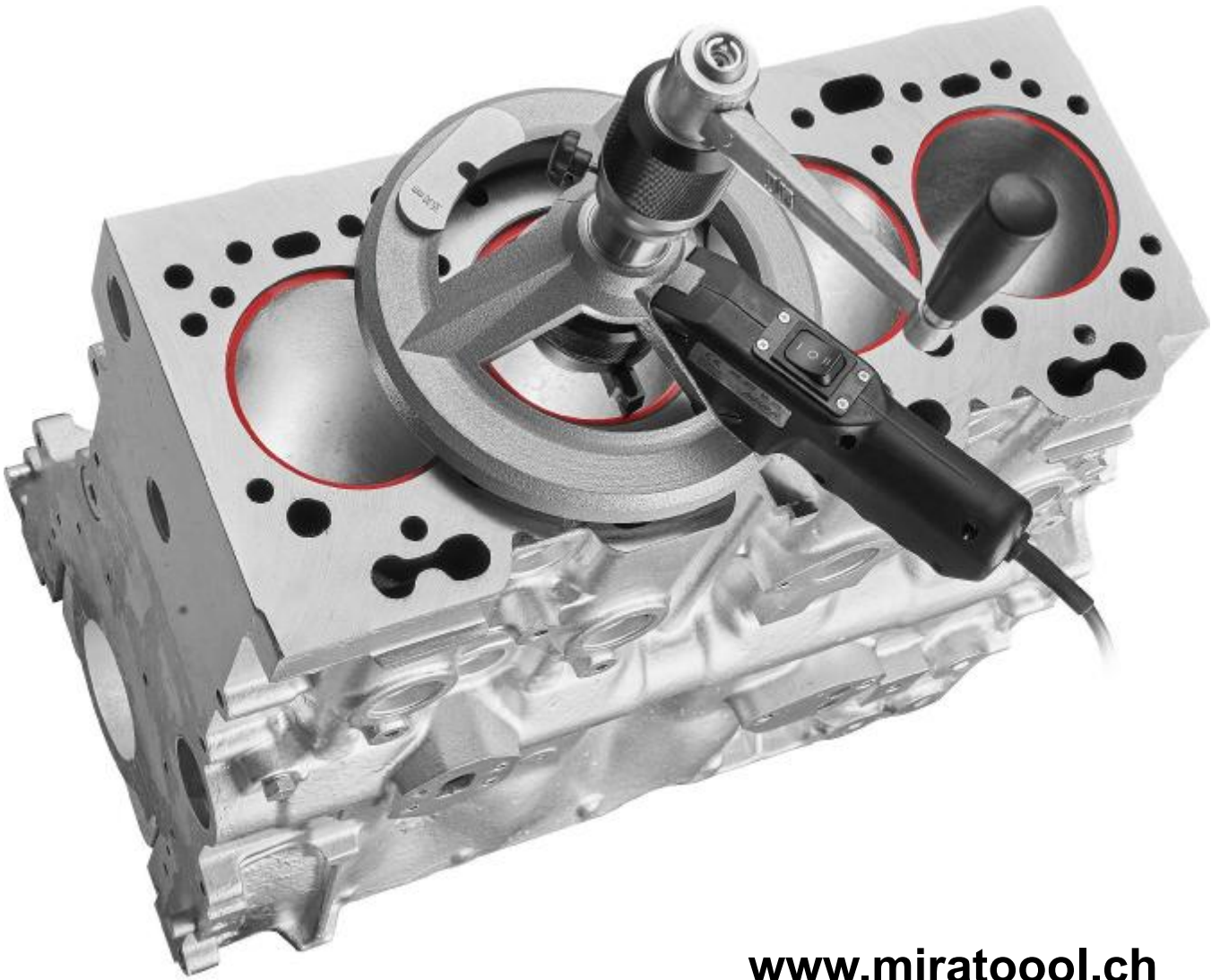


# **MIRA<sup>®</sup> BB-86**



[www.miratool.ch](http://www.miratool.ch)

***PRECISE COUNTER BORE  
MACHINING***



# MIRA<sup>®</sup> BB-86 Counterbore Unit

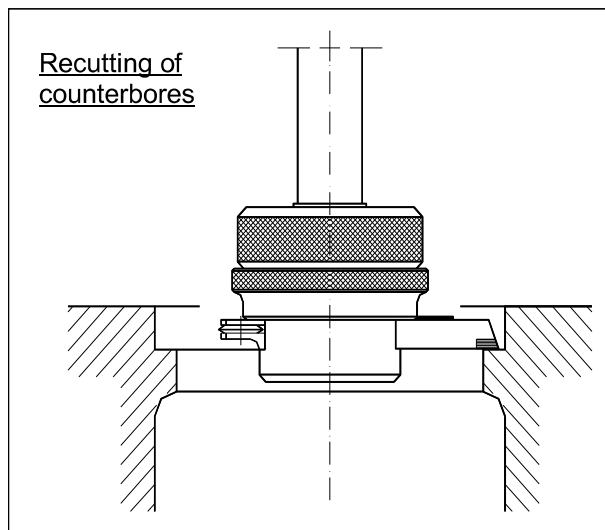
## Portable and simple to operate



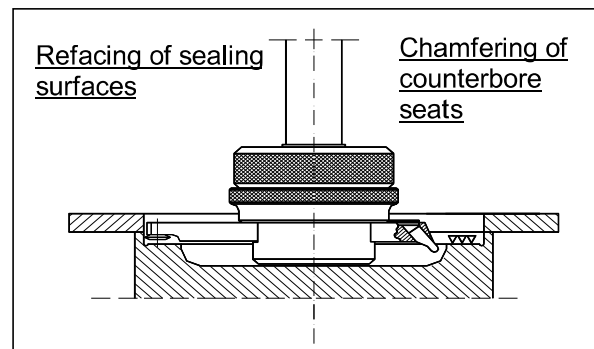
To guarantee a perfect seal between engine block and wet liners, the counterbore seats in an engine block must be re-faced during engine overhaul and in case of leaks. This job is rapidly and simply carried out with the portable and precise BB unit. Its centering is automatic and the unit is clamped by means of an electro magnet. As the unit is placed directly on the sealing surface of an engine block, the refaced counterbore seats will automatically be parallel with the sealing surface. The refacing procedures can be carried out on installed as well as on removed engine blocks or even built-in underfloor engines.

**Available as Standard 170mm unit or „Giant“ with 198mm inside diameter !**

## Powerful electro magnetic base



Custom made MIRA BB cutting tools are available on request!



### Standard MIRA cutting tool range

MB-85	73.00 - 86.00 mm
MB-86	85.00 - 104.00 mm
MB-87	97.00 - 126.00 mm
MB-88	123.00 - 160.00 mm
MB-88AD	130.00 - 166.00 mm
MB-89*	158.00 - 194.00 mm
MB-90*	192.00 - 224.00 mm

\* In combination with an intermediate steel plate !

## Fast, reliable and affordable tool

# **MIRA® BB-86** *Extension Tool*

MIRA can provide a special and rigid extension for precision machining of deep seated counterbores.



***Perfect machining of counterbore seats!***



The specially designed extension allows the safe machining of deep seated counterbores up to **200mm**.

The MIRA extension comes in a handy and portable storage case and can be used on all genuine MIRA BB-86 units for counter-boring.

**Kit Order Nr. BB-EXT250**

**NOTE:** Kit does not include MB cutting-tool! Individual MB cutting tools must be ordered separately!

***Adaptable on all MIRA BB-86 units!***